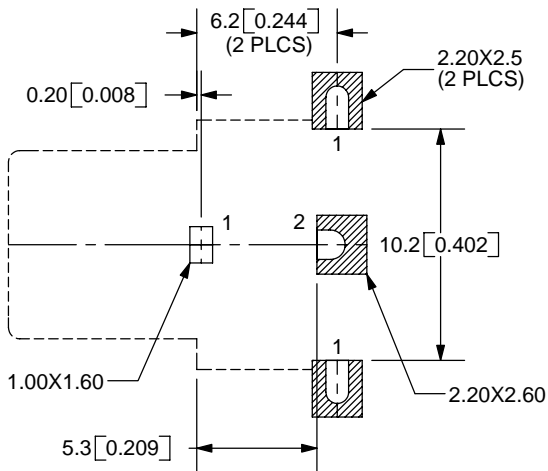
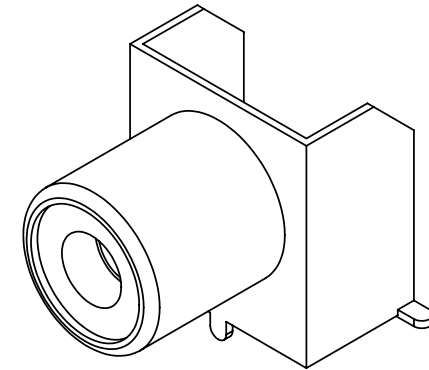
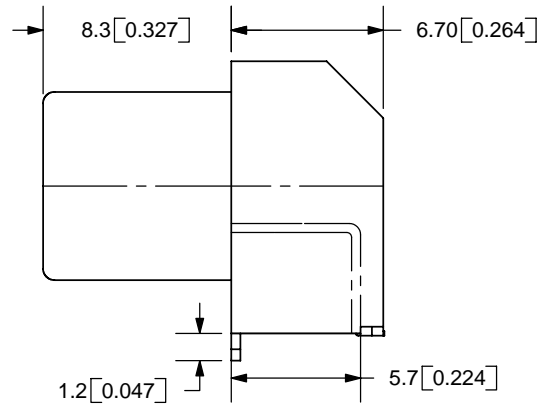
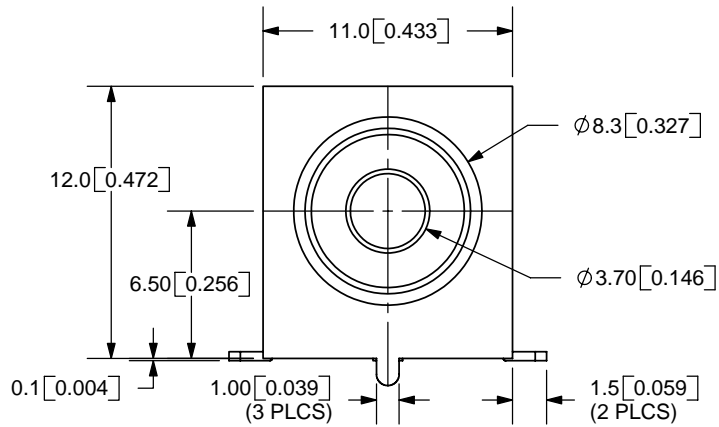


REV.	DESCRIPTION	DATE
A	NEW DRAWING	3/2/2006



PCB LAYOUT
TOP VIEW

MODEL NO.	RCJ-01X-SMT
SCHEMATIC	

COLOR INDEX	
PART NO.	COLOR
RCJ-011-SMT	Black
RCJ-012-SMT	Red
RCJ-013-SMT	White
RCJ-014-SMT	Yellow
RCJ-017-SMT	Orange

TOLERANCE:
X.X ±0.2mm
X.XX ±0.1mm
X.XXX ±0.05mm



9615 SW Allen Blvd., Ste. 103
Beaverton, OR 97005
Phone: 503-643-4899
800-275-4899
Fax: 503-372-1266
Website: www.cui.com

SPECIFICATIONS:
CONTACT RESISTANCE: 25m OHMS MAX
INSULATION RESISTANCE: 100M OHMS MIN: 500V DC
VOLTAGE WITHSTAND: 500V AC R.M.S. FOR 1 MINUTE
LIFE: 5,000 CYCLES

SHELL	MATERIAL	PLATING	TITLE:	SMD RCA SOCKET	REV:	A
BRACKET	C.R. Steel	Tin	PART NO.	RCJ-01X-SMT	UNITS:	MM [INCHES]
CENTER CONTACT	Brass	Tin	DRAWN BY:	ZRJ	APPROVED BY:	SCALE:
INSULATOR	PA66					3:1

PC FILE NAME:
RCJ-01X-SMT

COPYRIGHT 2006 BY CUI INC.